

EVA. II chair family



QUALITY STANDARD

- LST EN 1335-1:2000
- LST EN 1335-1:2000/AC:2003
- LST EN 1335-2:2009

TECHNICAL INFORMATION

Types

- Executive, task chairs.

Seat

- Foam made of polyurethane.

Back

- Frame made of black or white plastic;
- Upholstered with mesh.

Lumbar support

- Height adjustable;
- Made of white or black plastic.

Armrests

- Fixed black plastic armrests;
- Height adjustable black or white plastic armrests;
- Height adjustable black plastic armrests with soft PU (polyurethane) pads.
- 2D (two directions) adjustable polished aluminium armrests. Upper part coated with a PU (polyurethane) pads, soft touch. Adjustable in height, top moving forward and backward.

Mechanism

- Epron: mechanism with synchronized movement of seat and back, 5 locking positions of the backrest, hand wheel tension adjustment;
- Epron Plus: synchronized mechanism, 5 locking positions of the backrest, tension adjustment with quick side tension regulation by lever.

Gas lift

- Chromed or black colour;
- 120 mm run range.

Bases

- Five-star polished aluminium, black plastic with fiberglass;
- External Ø680 mm.

Castors

- Rubber free wheel castors for hard floor, Ø65 mm;
- PA (polyamide) free wheel castors for soft floor, Ø65 mm.

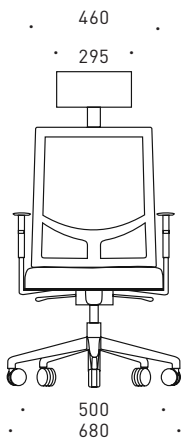
Headrest

- Fixed;
- Made of soft polyurethane.

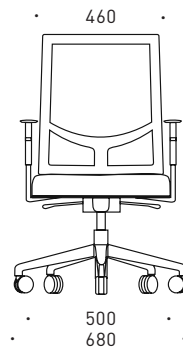
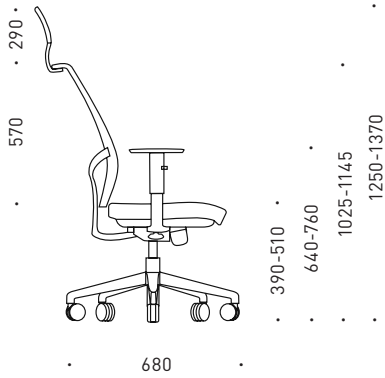
GUARANTEE

- 5 years

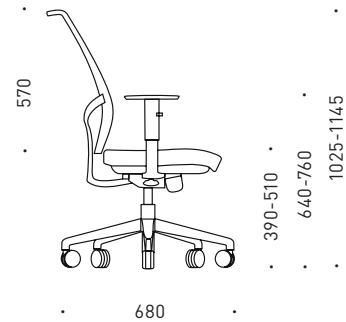
RANGE



Executive



Task



Optional



Fixed black plastic armrests



Height adjustable white plastic armrests



Height adjustable black plastic armrests



Height adjustable armrests with soft PU pads



2D height adjustable armrests