

WIND task chair family



QUALITY STANDARDS

- LST EN 1335 - 1:2000
- LST EN 1335 - 1:2000 / AC:2002
- LST EN 1335 - 2:2009
- LST EN 1335 - 3:2009
- LST EN 1335 - 3:2009 / AC:2009

TECHNICAL INFORMATION

Type

- Task chairs

Seat

- Fixed or depth adjustable (60 mm run range);
- Lower part (inner and outer) made of PP (polypropylene);
- Foam made of polyurethane;
- Fabric or leather look upholstered.

Backrest

- Frame made of black or white plastic;
- Mesh, fabric or leather look upholstered;
- Inner foam made of polyurethane (fabric upholstery).

Lumbar support

- Height adjustable (80 mm run range);
- Made of transparent silicon.

Armrests

- Fixed black plastic armrests;
- 2D (two directions) adjustable black plastic armrests.
- 2D (two directions) adjustable black plastic or white plastic armrests with polished aluminum lower part.
- 2D height adjustable armrests (80 mm run range), pad moves forward and backward (55 mm range).
- 3D (three directions) adjustable black plastic armrests.
- 3D (three directions) adjustable black plastic or white plastic armrests with polished aluminum lower part.
- 3D height adjustable armrests (80 mm run range), width adjustable (37 mm run range), pad moves forward and backward (55 mm range).
- All armrests upper part coated with PU (polyurethane) pads, soft touch.

Headrest

- Frame made of nylon plastic;
- Soft part made of polyurethane;
- Height adjustable (60 mm run range);
- Fabric or leather look upholstered.

Gas lift

- Chromed or black color;
- 130 mm run range.

Mechanism

- Weight-sensitive synchronized mechanism;
- 3 backrest locking positions by push button;
- Height adjustment by side lever.

Bases

- Five-star polished aluminium base;
- Five-star black or white fiberglass reinforced plastic base;
- External Ø 700 mm.

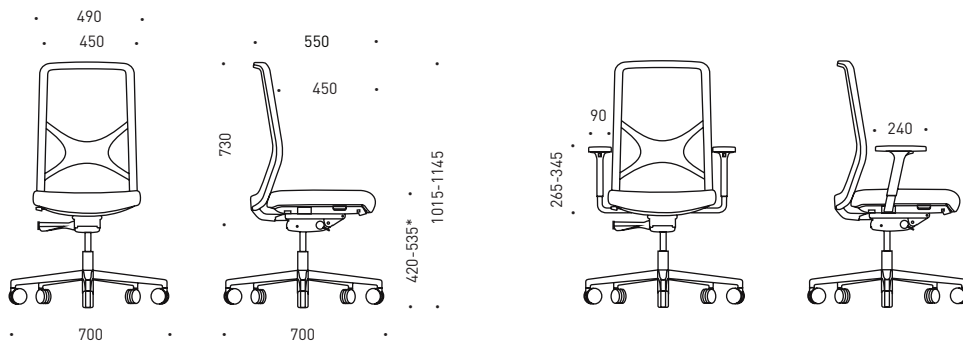
Castors

- Rubber free wheel castors for hard floor, Ø 65 mm;
- PA (polyamide) free wheel castors for soft floor, Ø 65 mm.

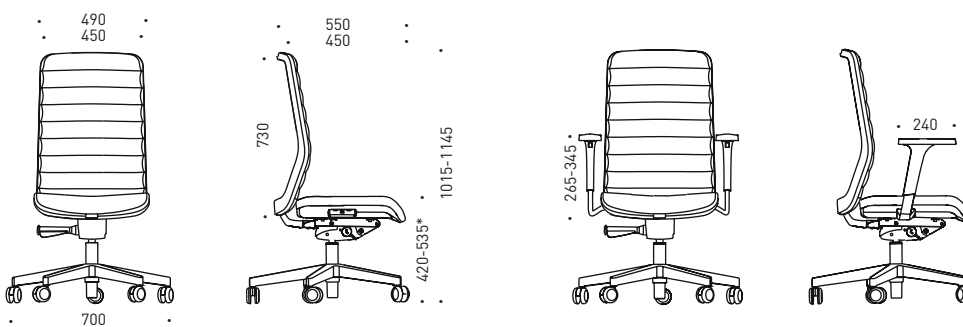
GUARANTEE

- 5 years

RANGE



With mesh backrest



With fabric backrest

*Height approved during certification.

Optional



Fixed armrests



2D (two directions) adjustable armrests



3D (three directions) adjustable armrests



Headrest